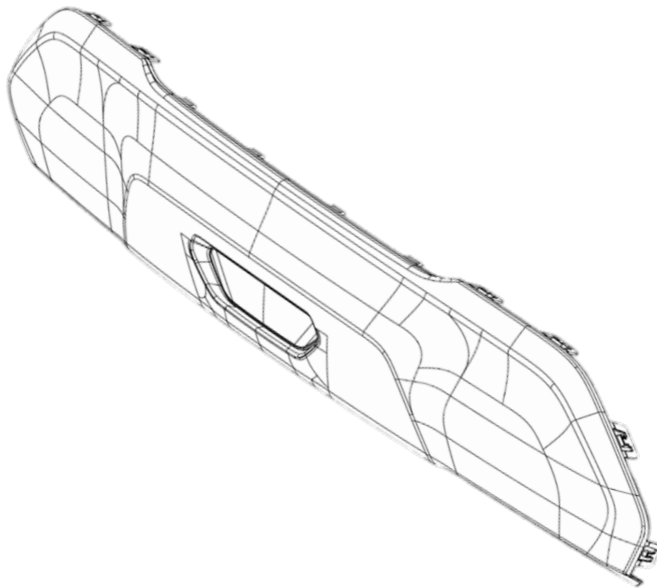




# Aesthetic Molded Parts



*Plastic molded parts for exterior and interior panels, covers and decorative elements with custom surface finish.*



## Key characteristics

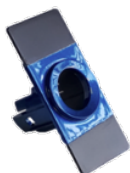
Customized class “A” surfaces molded in color or prepared for painting

Textures and special surface elements possible

Integrated functional features like airbag clips, audio devices, seals insulators, seat belt adjustment etc...

Large material variety including 2k injection

*Large variety of designs based on customer requirements*



## General Specifications

Type of part	<ul style="list-style-type: none"> <li>• Structural</li> <li>• Functional</li> <li>• Aesthetic Class A (Interior, Exterior)</li> </ul>
Typical materials	<ul style="list-style-type: none"> <li>• PP/PE, PPTD, TPV, PA 6.6, PA6.6GF 50, PP LGF 40, Noryl, ABS</li> <li>• Elastomers, EPDM</li> </ul>
Size	<ul style="list-style-type: none"> <li>• Up to 1200x250x250</li> <li>• Up to 5 kg injected material</li> </ul>
Surface finish	<ul style="list-style-type: none"> <li>• Smooth exterior shape</li> <li>• Interior with texture or features</li> </ul>
Color finish	<ul style="list-style-type: none"> <li>• Molded in color</li> <li>• Prepared for painting</li> </ul>

## Functional Design

## Mold Design

## Tooling

## Assembly

## Test

## Control

## Surface Inspection

